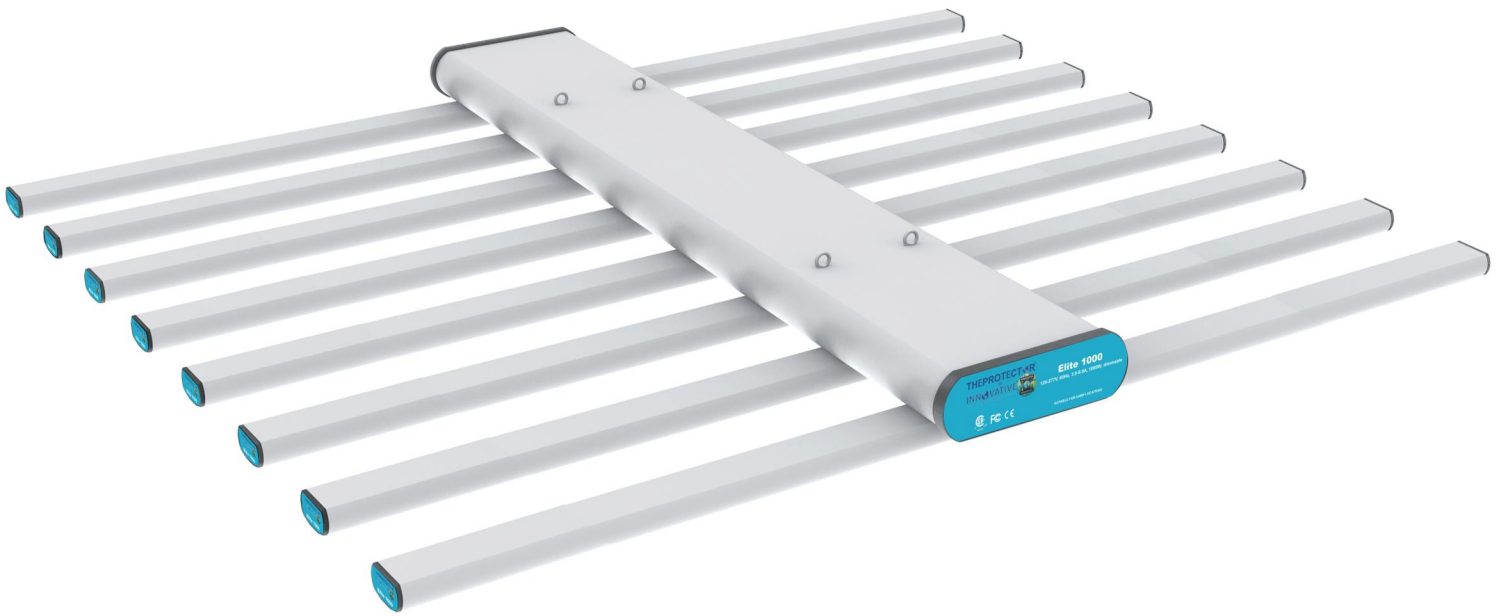


THEPROTECTOR®

by
INNOVATIVE[®]
—tool and design inc.—



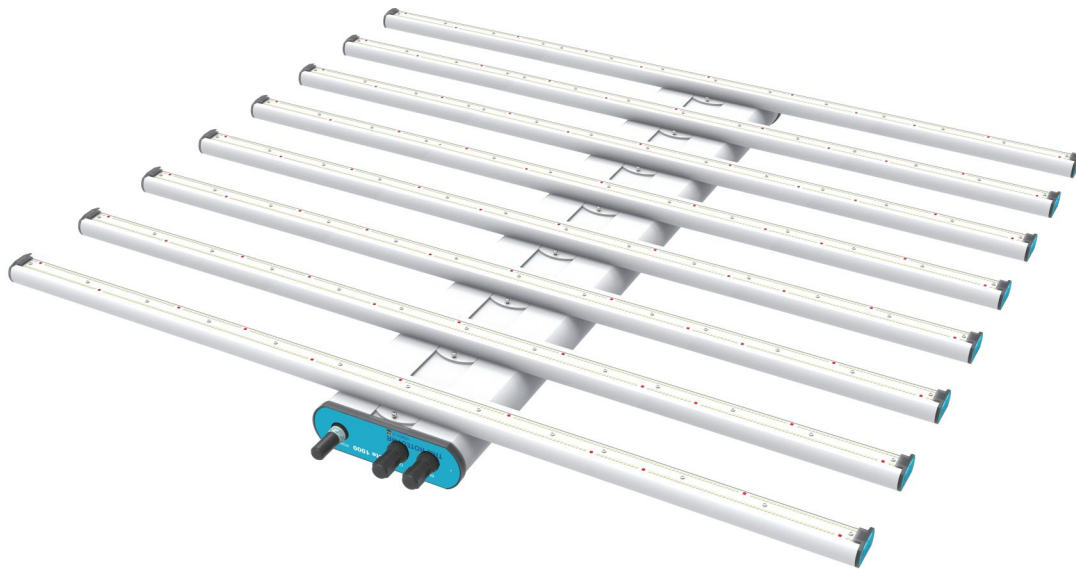
Elite 1000 LED Growing Light



User Manual



Elite 1000W LED Growing Light



Full Spectrum

- 380nm-780nm.
- Improve active ingredient contents

2650 $\mu\text{mol s}^{-1}$

- Over 2.6 $\mu\text{mol/J}$ at 1000W
- Saving more energy while produce more

Wet location / IP65

- Make planting easier.
- Easily sterilized.

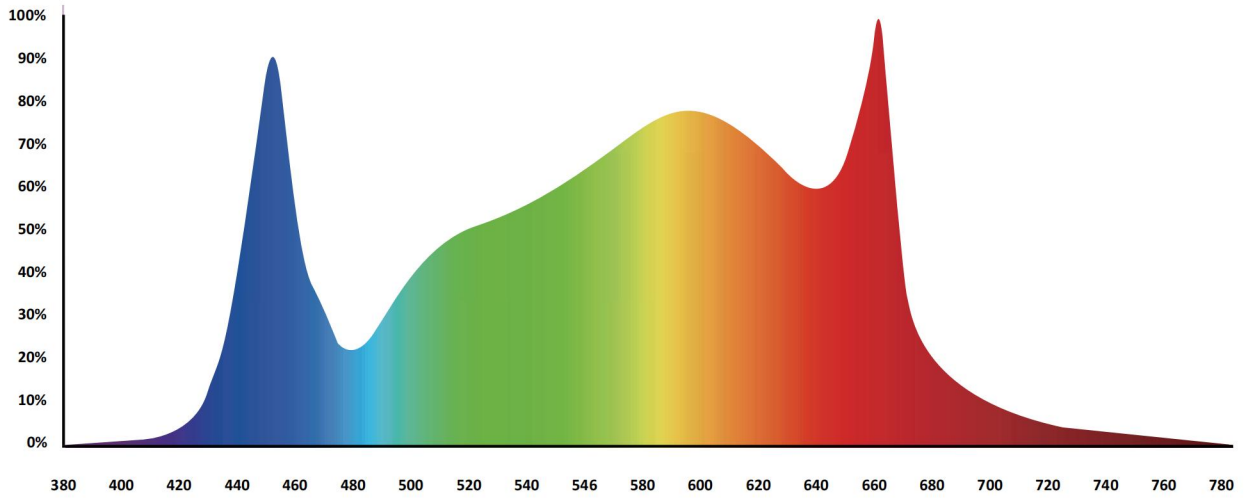
>97% light transmission

- With silicone conformal coating.

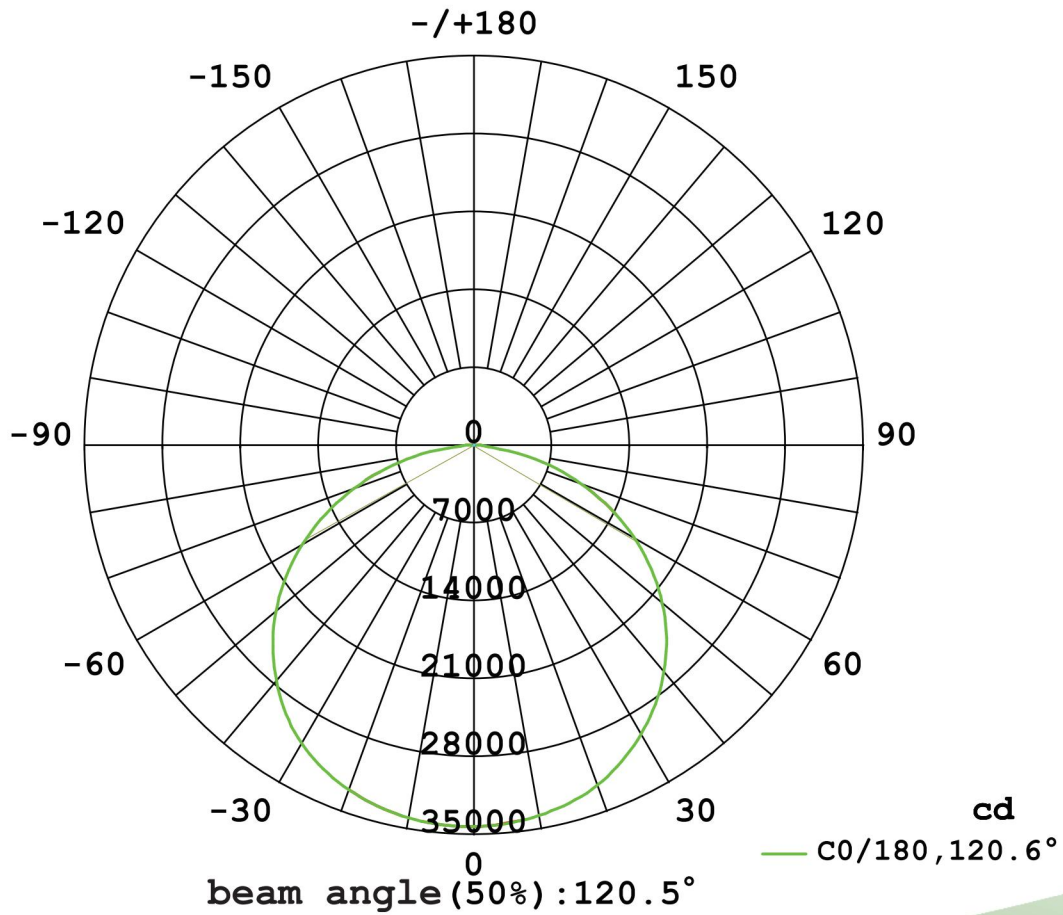
Suitable for GMP & GACP facility

- Sealed shut.
- No fans.

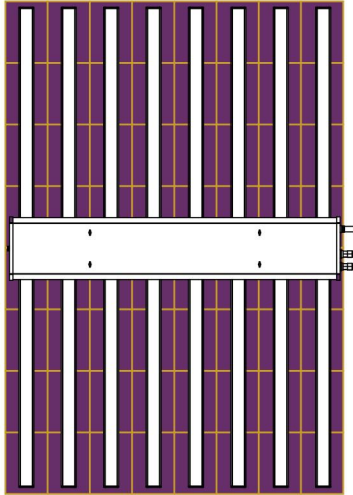
SPECTRUM



LUX DISTRIBUTION



PPFD MAP



Map Size: 4' x 6' (1.2m x 1.8m)

≥1000	800-1000	700-800	600-700	450-600	300-450	250-300
-------	----------	---------	---------	---------	---------	---------

746	775	830	830	775	746
930	1031	1045	1045	1031	930
968	1050	1090	1090	1050	968
1007	1079	1111	1111	1079	1007
1053	1134	1161	1161	1134	1053
1053	1134	1161	1161	1134	1053
1007	1079	1111	1111	1079	1007
968	1050	1090	1090	1050	968
930	1031	1045	1045	1031	930
746	775	830	830	775	746

PPFD MAP at 0.5ft

Clearance	0.5	ft
Qty	1	U
Average PPFD	1001	μmol/m ² /s
Max PPFD	1161	μmol/m ² /s
Min PPFD	746	μmol/m ² /s
Min/Average	74.5	%
Watts	1000	W

510	607	623	623	607	510
667	802	848	848	802	667
743	888	936	936	888	743
783	933	988	988	933	783
807	965	1021	1021	965	807
807	965	1021	1021	965	807
783	933	988	988	933	783
743	888	936	936	888	743
667	802	848	848	802	667
510	607	623	623	607	510

PPFD MAP at 1ft

Clearance	1	ft
Qty	1	U
Average PPFD	808	μmol/m ² /s
Max PPFD	1021	μmol/m ² /s
Min PPFD	510	μmol/m ² /s
Min/Average	63.1	%
Watts	1000	W

418	503	545	545	503	418
546	652	694	694	652	546
627	746	800	800	746	627
671	800	857	857	800	671
698	832	889	889	832	698
698	832	889	889	832	698
671	800	857	857	800	671
627	746	800	800	746	627
546	652	694	694	652	546
418	503	545	545	503	418

PPFD MAP at 1.5ft

Clearance	1.5	ft
Qty	1	U
Average PPFD	685	μmol/m ² /s
Max PPFD	889	μmol/m ² /s
Min PPFD	418	μmol/m ² /s
Min/Average	61.0	%
Watts	1000	W

358	411	445	445	411	358
448	527	570	570	527	448
518	605	655	655	605	518
558	660	705	705	660	558
570	684	733	733	684	570
570	684	733	733	684	570
558	660	705	705	660	558
518	605	655	655	605	518
448	527	570	570	527	448
358	411	445	445	411	358

PPFD MAP at 2.0ft

Clearance	2.0	ft
Qty	1	U
Average PPFD	563	μmol/m ² /s
Max PPFD	733	μmol/m ² /s
Min PPFD	358	μmol/m ² /s
Min/Average	63.6	%
Watts	1000	W

281	330	337	337	330	281
338	375	406	406	375	338
390	432	460	460	432	390
410	472	500	500	472	410
425	493	523	523	493	425
425	493	523	523	493	425
410	472	500	500	472	410
390	432	460	460	432	390
338	375	406	406	375	338
281	330	337	337	330	281

PPFD MAP at 3.0ft

Clearance	3.0	ft
Qty	1	U
Average PPFD	411	μmol/m ² /s
Max PPFD	523	μmol/m ² /s
Min PPFD	281	μmol/m ² /s
Min/Average	68.4	%
Watts	1000	W



Specifications

Type	Nova 1000 STD
Amp Draw	8.4A @ 120V 、 4.2A @ 240V、 3.6A @ 277V
Wattage	1000W
Power factor	>0.9
PPF	2,650 μmol/s
Efficacy	2.6 μmol/J
BTU	3400 BTU/h
Driver Brand	Moso
Light source	Osram 660nm + Samsung 301b
Dimming	Daisy Chain Digital signal(RS485): 0-100%; Analog signal (0-10Vdc): 35%-100%
Material	6063 Aluminum
Thermal Management	Passive Cooling
Mounting Height	≥ 6" (15.2cm) Above Plant Canopy
Warranty	5 years
Certifications	DLC & CSA Listed, Compliance with FCC / UL / CE /RoHS standards
IP rating	UL 8800 – suitable for wet locations, IP 65
Ambient operating temperature	14 ° F ~ 104°F (-10°C ~ 40 °C)
Lifespan	L90: >54,000 hrs
Fixture Dimension Net Weight	L1710 x W1252 x H110mm 17.4kg
Packing Dimension Gross Weight	L1775 x W395 x H225mm 21kg
Coverage area	Flower: 5' x 6' Veg: 7' x 8'

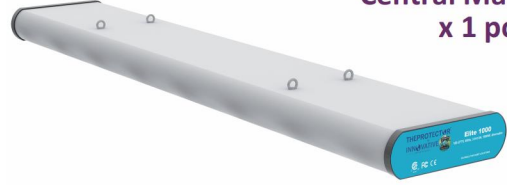


In the Box

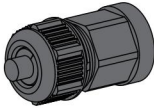
LED Bars
x8 pce



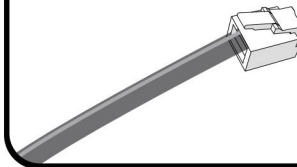
Central Mast
x 1 pce



Waterproof Connector
x2 pce



Network Cable
x1 pce



Power Cable
x1 pce

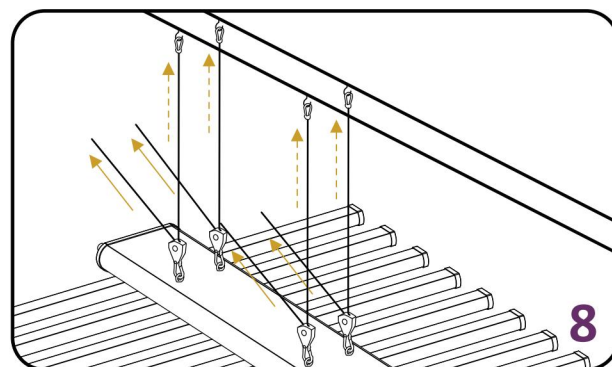
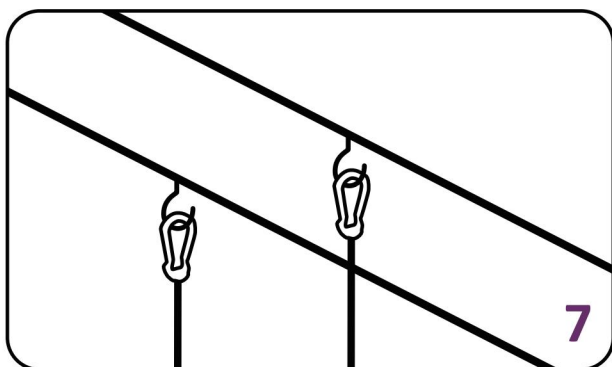
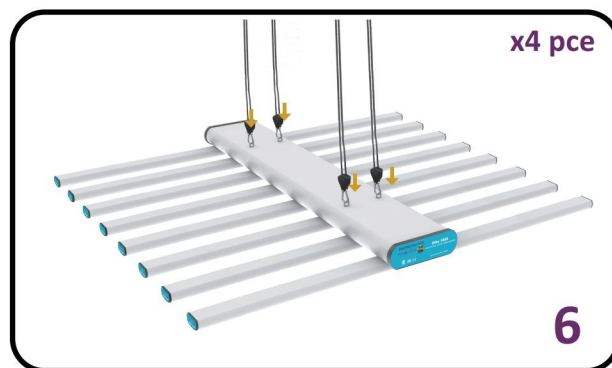
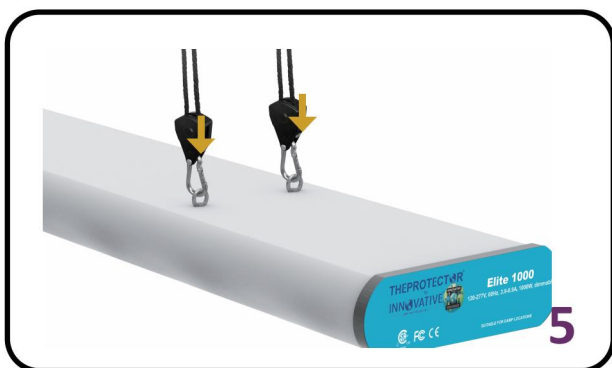
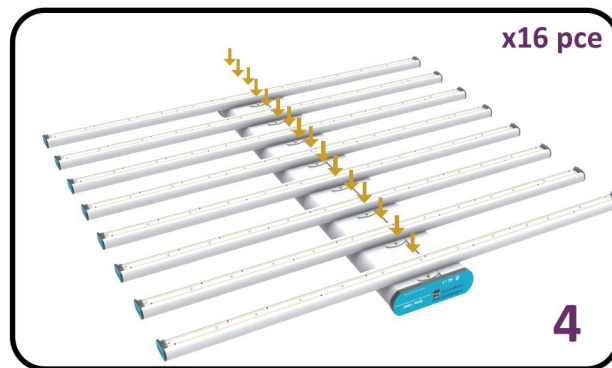
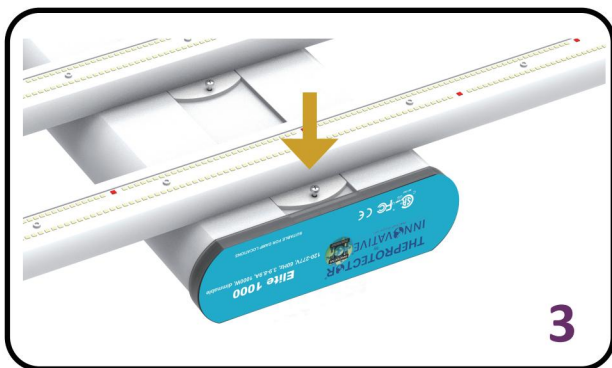
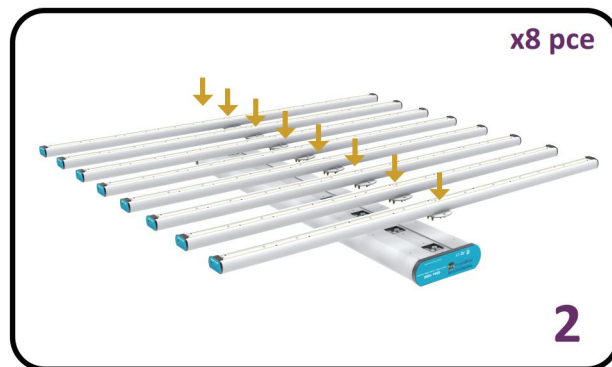


Rope Slings
x4 pce



Dummy Plug
x1 pce



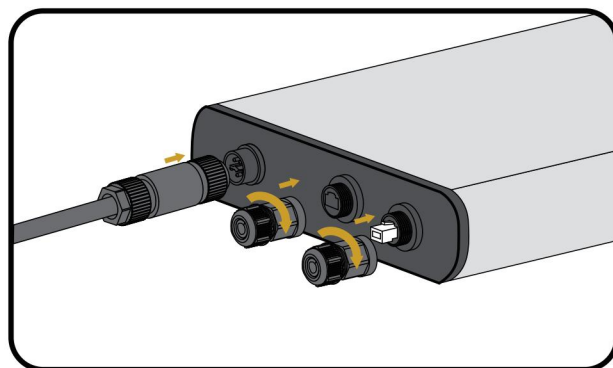
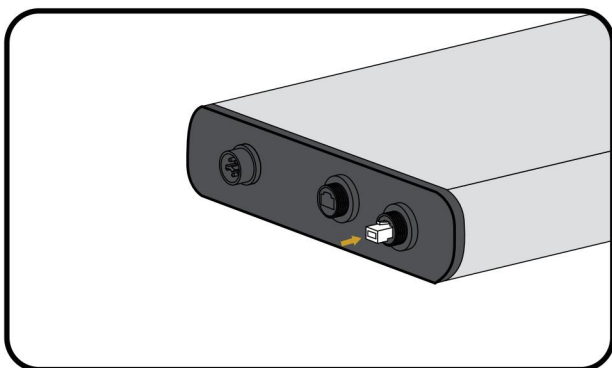


When handling your Nova Fixture. The LED array should NOT come in contact with sharp objects. DO NOT touch diodes or apply direct force to the diodes as this can/will cause permanent damage.

Installation Precautions

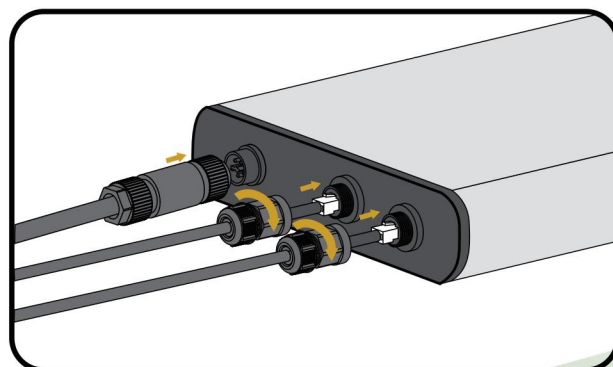
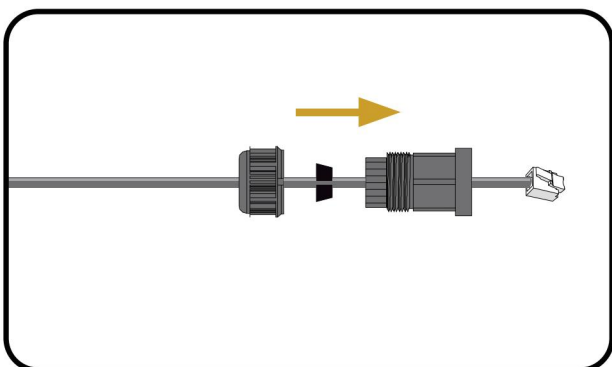
- *“THIS PRODUCT MUST BE INSTALLED BY A PERSON FAMILIAR WITH THE CONSTRUCTION AND OPERATION OF THE PRODUCT AND THE HAZARDS INVOLVED, IN ACCORDANCE WITH THE APPLICABLE INSTALLATION CODE”.*
- *“KEEP THESE INSTALLATION INSTRUCTIONS”.*
- *For lighting equipment with cords or wiring harnesses, instructions shall include information to guide the installation such that cords:*
 - 1) *Are not concealed or extended through a wall, floor, ceiling, or other parts of the building structure,*
 - 2) *Are not located above a suspended ceiling or dropped ceiling,*
 - 3) *Are not permanently affixed to the building structure,*
 - 4) *Are routed so that they are not subject to strain and are protected from physical damage,*
 - 5) *Are visible over their entire length, and*
 - 6) *Are used within their rated ampacity as determined for the maximum temperature of the installed environment specified in the instructions.*

Non-controlled



- *Non-controlled fixtures simply operate at 100% when inserting the dummy plug into the IN terminal.*

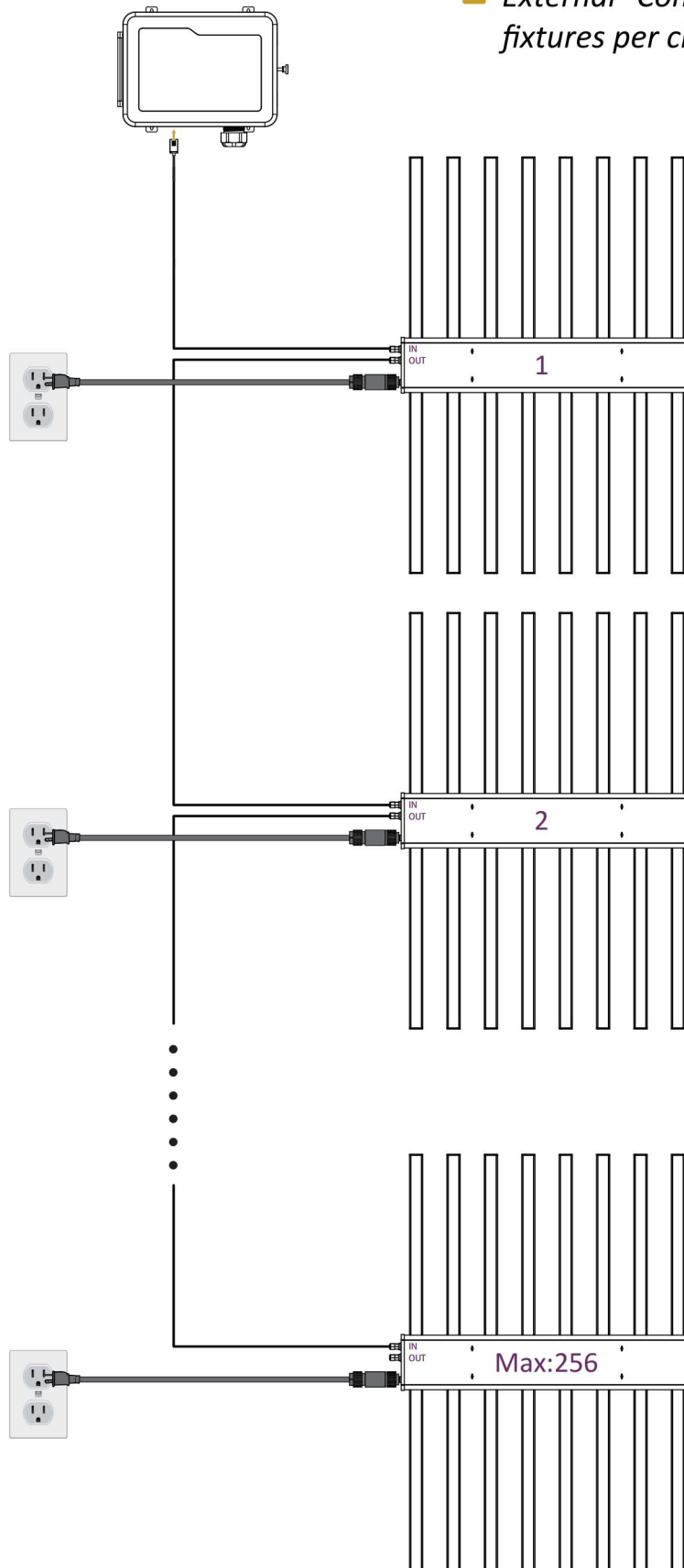
Dimmable



SUITABLE FOR DAMP LOCATIONS

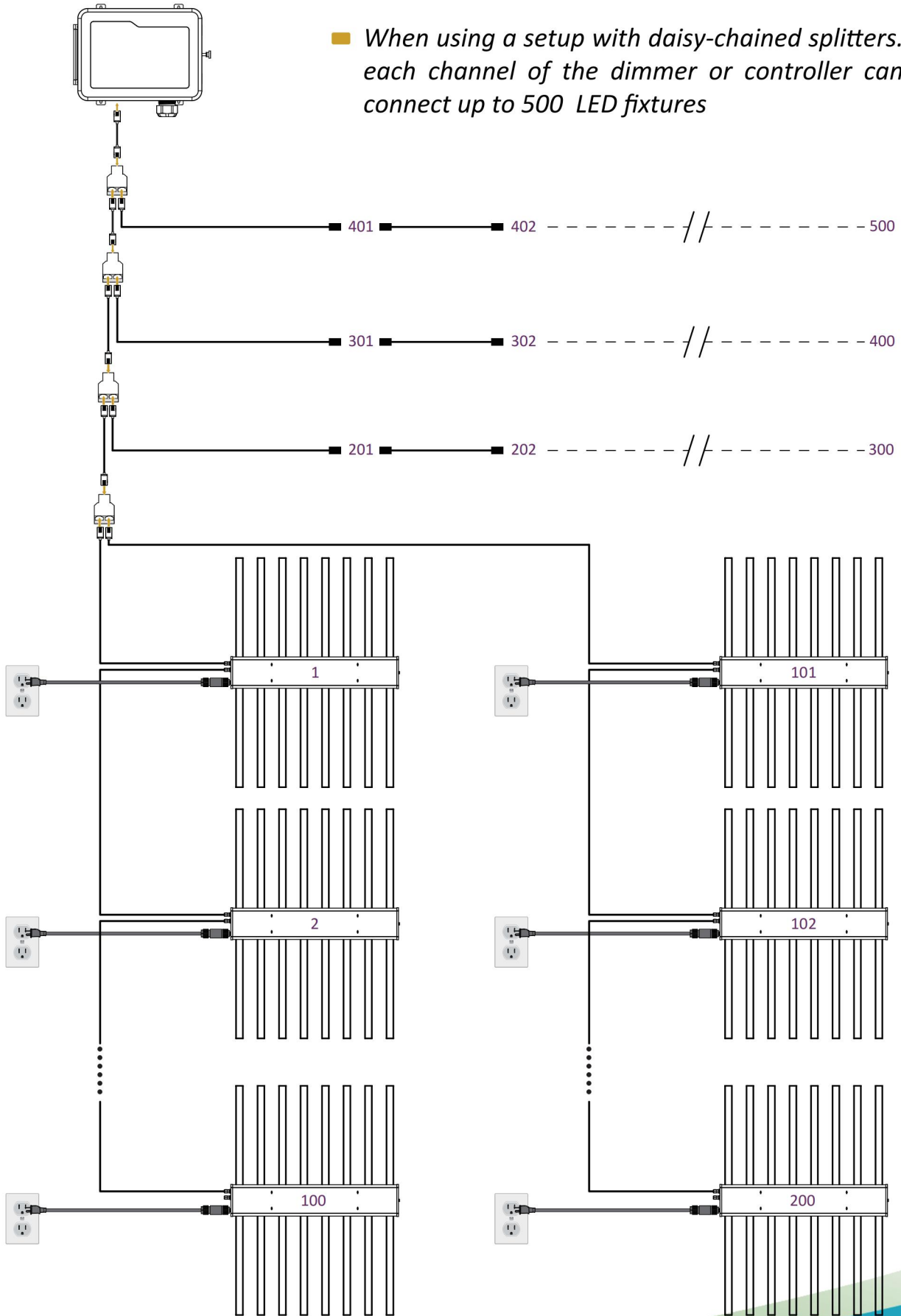
Digital signal

■ External Controllability with 256 fixtures per channel.

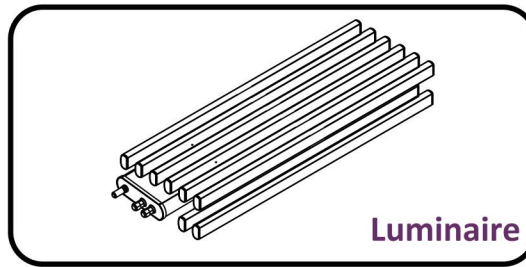


Analog signal

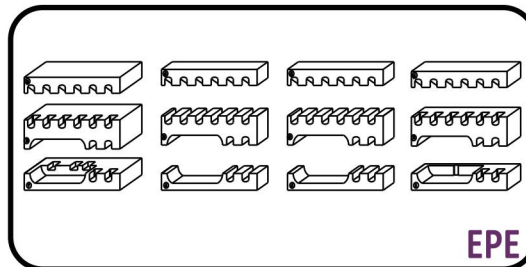
- When using a setup with daisy-chained splitters, each channel of the dimmer or controller can connect up to 500 LED fixtures



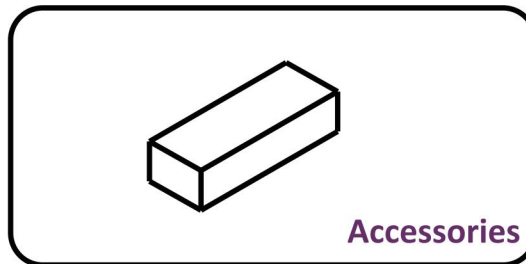
Package Diagram



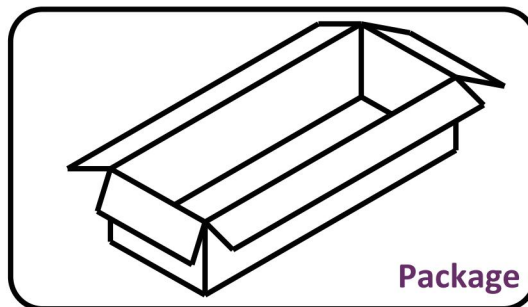
+



+



+



=

